

930 Heavy Duty Draw Latch

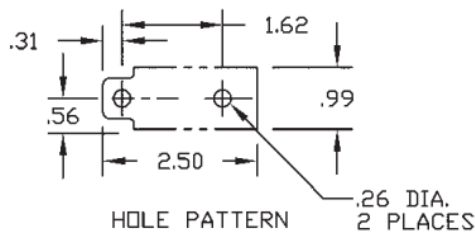
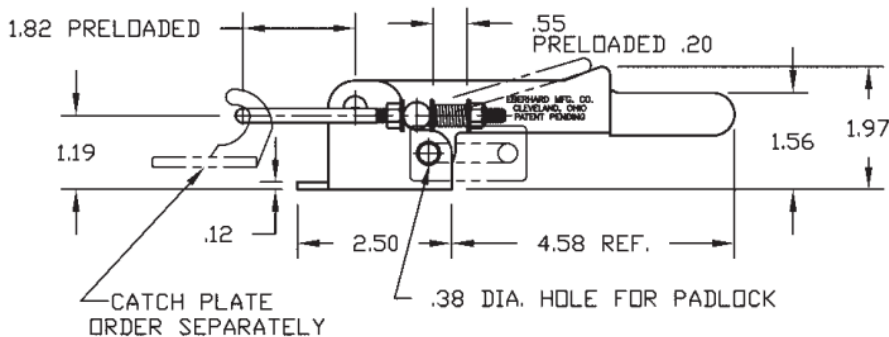
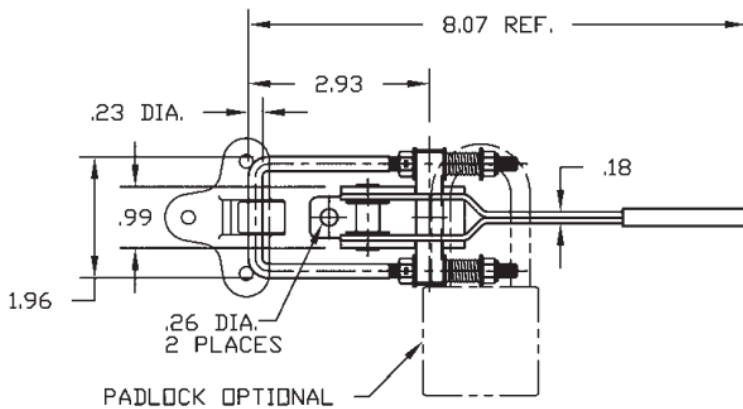
Features

- Padlockable heavy duty draw latch designed for use in a wide range of applications
- Self-adjusting, stainless steel tension springs help maintain balanced load forces
- Up to 7/16" U-bolt adjustment.
- Padlock eye provides for up to a 3/8" diameter padlock shackle



Notes

- Catch plate **9674-B3-25** (load rating max. 1,500 lbs) sold separately



Part No.

930

Dimensions in inches